

Embra Modular Lounge Assembly

Tools Required

- Drill Driver with #2 Phillips bit. 4 to 6" extension recommended.
- #2 Phillips hand screw driver.

Material & Hardware Required

- Embra Modular Starter & End. Modular Add-On models as layout requires.
- Truss Head Phillips drive #1/4-20 X 1/2" screws

Assembly Instructions

Required:

- 3365646 - Embra Lounge Leg Frame Attachment

Reference as needed:

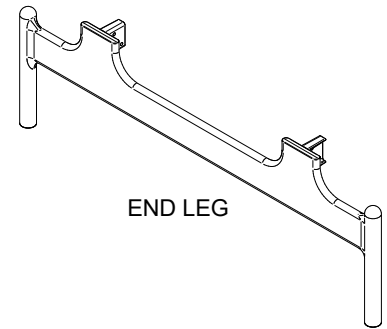
- 3345201 - Embra Lamp Shade Attachment
- 3365641 - Embra End Cap Attachment
- 3365643 - Embra End Cap-Storage with Coat Rack Assembly
- 3365645 - Embra Tablet Mechanism Attachment

Installation

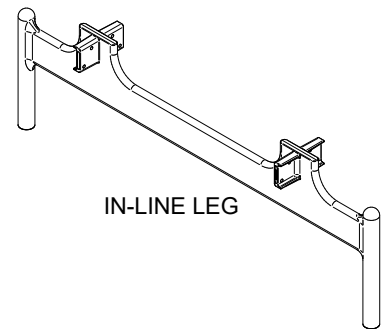
- Unbox the lounge units and note of the model numbers and their location in layout. Additionally, keep hardware with models it that shipped with.
- Turn over onto a clean surface free of debris.
- Locate the End and/or In-Line leg box and hardware bag containing screws.

Straight Run Assembly:

1. Reference Assembly Instruction 365646 to assemble Leg Frames to lounge models.
2. See Figure A, B & C for Leg Frame differences, including location, between Starters, Add-Ons & End lounge.
3. It is recommended to place lounge models on their back for ganging together.
4. Embra Modular Lounge layouts are made of the following models:
 - a. Modular Starter
 - b. Modular Add-On (based on layout)
 - c. Modular End
4. Embra modular ganging has three options:
 - a. Armless to Armless
 - b. Armless to Arm (and vice versa)
 - c. End Cap to End Cap
5. In this order, Figure A-Starter, Figure B-Add-On, and Figure C-End can assembled together to create a modular layout. See Figure D on next page.



END LEG



IN-LINE LEG

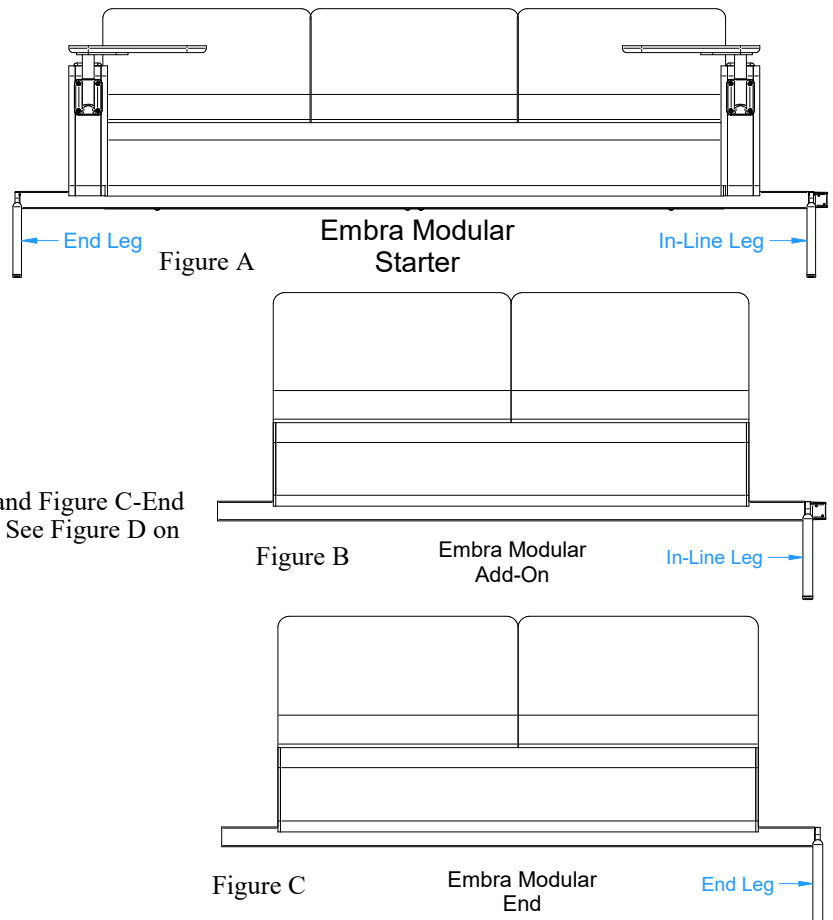


Figure A

Embra Modular Starter

Figure B

Embra Modular Add-On

Figure C

Embra Modular End

Installation Continued...

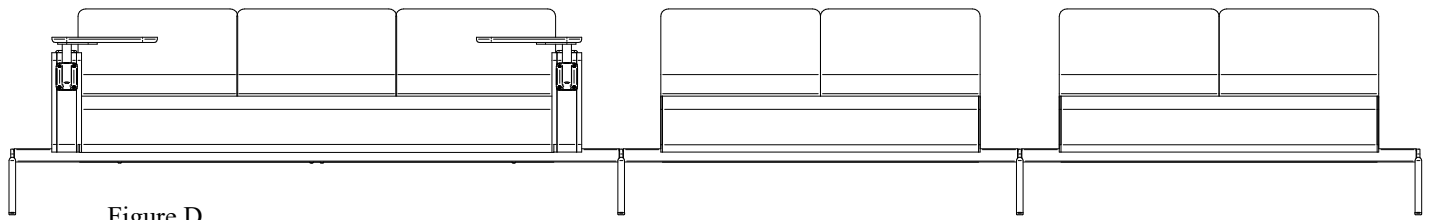
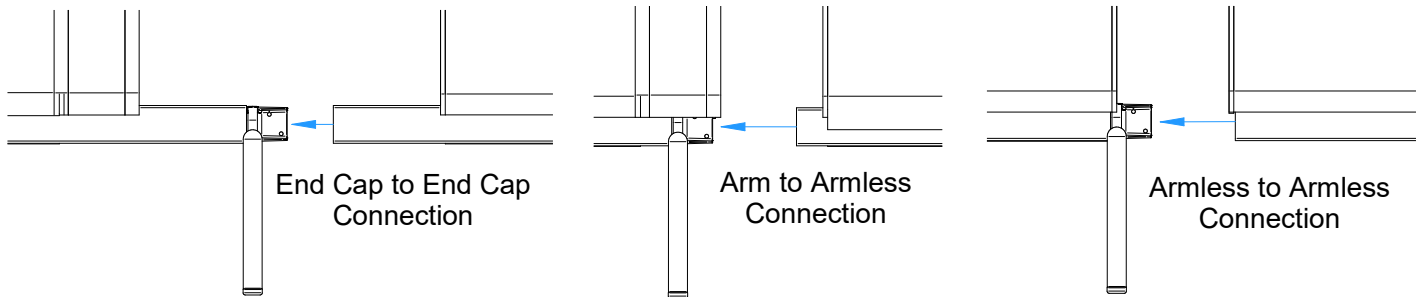


Figure D

Modular Connections

- Each connection uses hardware provided with the In-Line Leg Frame. Reference Assembly Instruction 3365646 for alignment of the rails to the In-Line Leg Frame and attachment.



- Reference Figure E for completely assembled straight run showing all possible ganging options shown above.

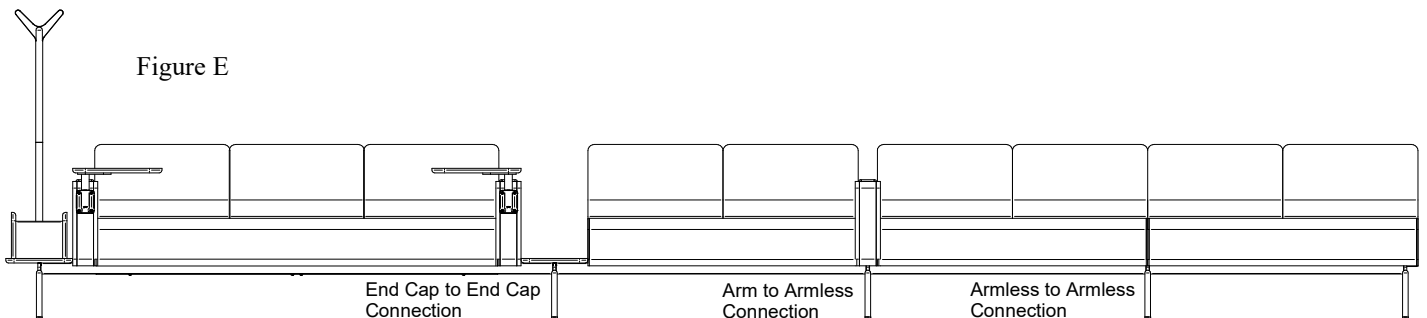


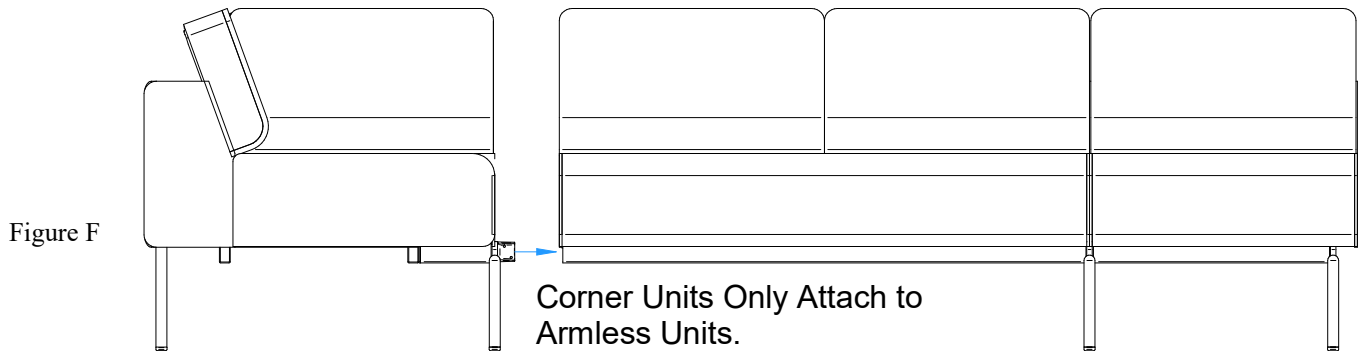
Figure E

Straight Run Assembly Continued from Page 1:

- At this point you have the legs assembled to each of the Modular lounge in the straight layout.
- Begin with the Modular Starter close to its final location. Position the next lounge unit so the rails align with the In-Line Leg Frame; slowly slide the two lounge units together.
- Take four (4) 1/4-20 x .50 inch pan head screws, and secure both rails of the lounge unit to the Leg Frame. Reference Assembly Instruction 3365646.
- Position the next lounge unit and gang as described above. Repeat until all units are securely ganged together.
- End Cap units can now be installed. Reference Assembly Instructions 3365641 & 3365643 to assemble and/or attach End Cap. End Caps should be completely assembled prior to attaching to lounge run.
- One person is required per every two seats to move lounge units to upright position. In example, Figure E would require 4-5 people to lift/move lounge.
- Caution:** Lounge must be lifted completely off the floor when putting in the upright position. Do not put weight on leg frames until units are in the upright position.
- The two- and three-seat units require 2 people to lift and slide units into position.**
- Furniture sliders are also recommended.**
- Slide assembled straight run into position and level using the glides on leg frames.

Upholstered Corner Unit Assembly

1. Complete the straight run assembly on either side of the corner.
2. Upholstered Corner Units are handed based on fabric direction. Ensure correct handed corner is in position before installing.
3. Lay the corner unit on either back side. Use Assembly Instruction 3365646 Embra Lounge Leg Attachment to assemble the In-Line Leg Frame and Corner Weldment Leg to Corner Unit.
4. Align the Corner Unit to the straight run and attach using four (4) 1/4-20 x .50" Pan head machine screws. See Figure F.



6. Place all straight runs in the upright position.
7. Position both straight runs close to their final position. See Figure G.
8. Using 1 person per every two seats, slowly align the rails to the In-Line Leg Frame and slide the two together. Reference Assembly Instruction 3365646.
9. Ensure rail mounting holes are aligned and then connect using four (4) 1/4-20 x .50" Pan Head machine screws.
10. Completed assembly should resemble Figure H.

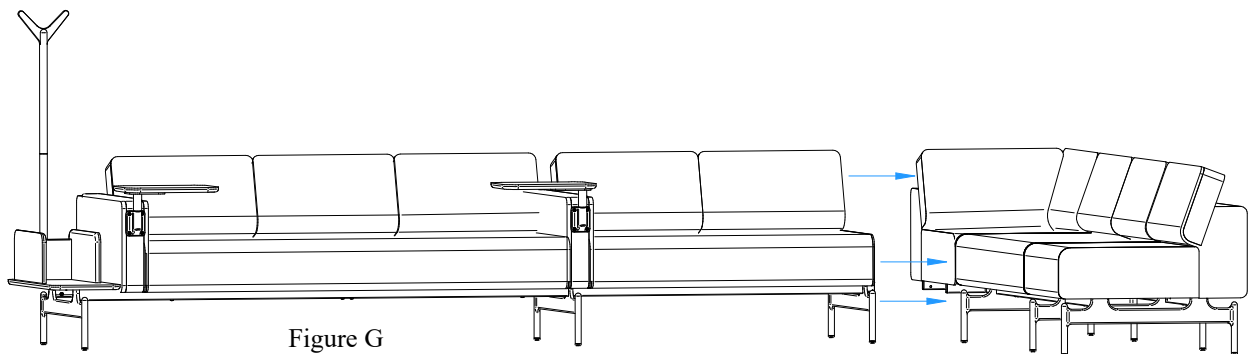
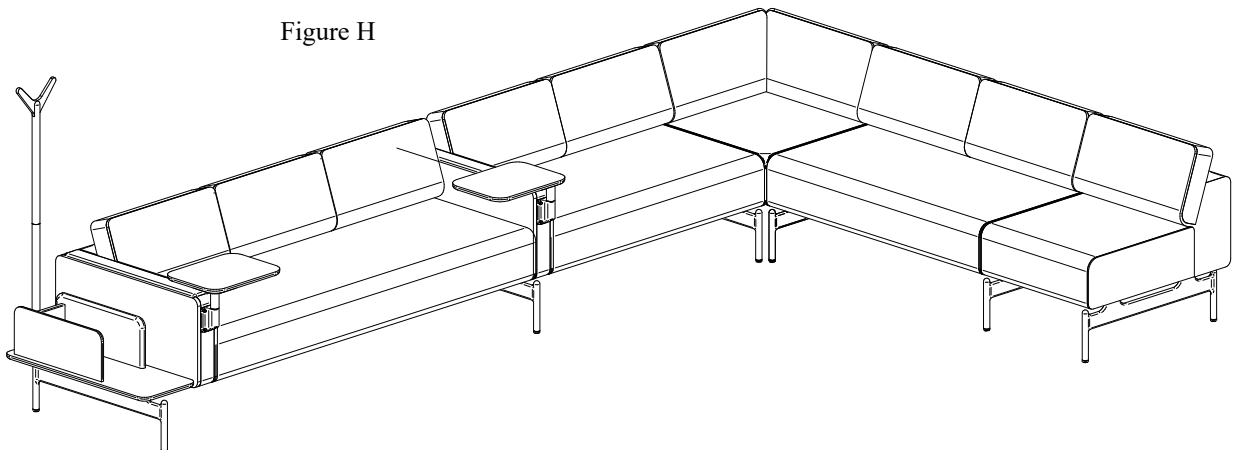


Figure H



Modular Corner Table Units:

1. Corner units can attach only to Armless units.
2. Corner Tables are fully, or mostly, assembled and ready for installation.

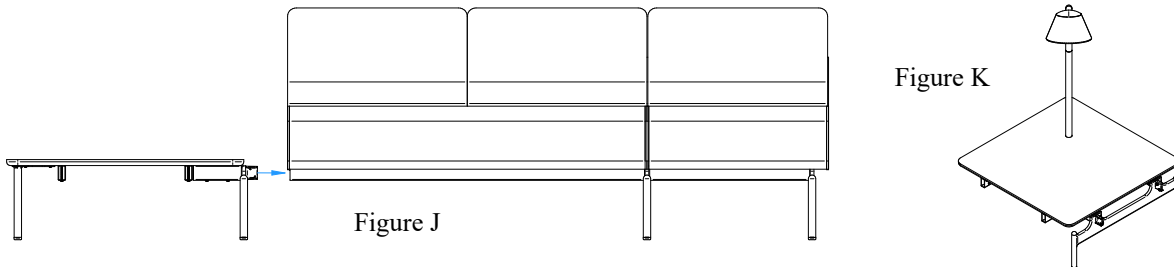
Additional Tools Required for T- and X- Configurations

- 8”H spacer block(s)

Corner Table Unit Assembly

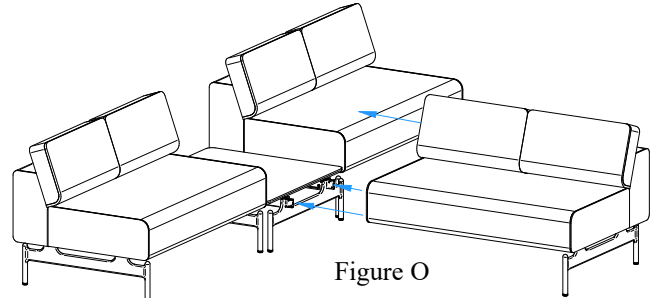
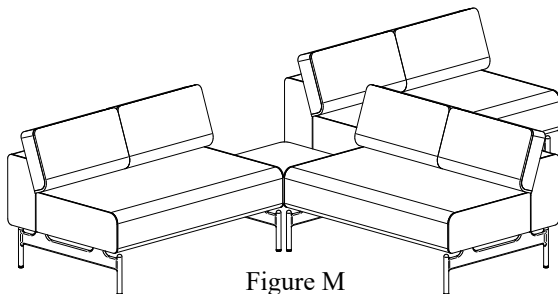
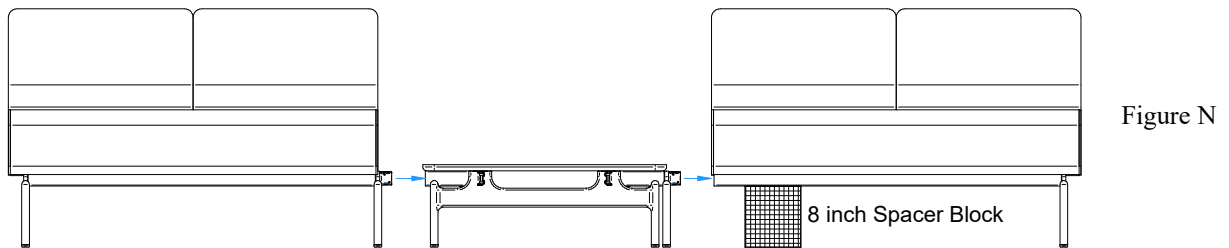
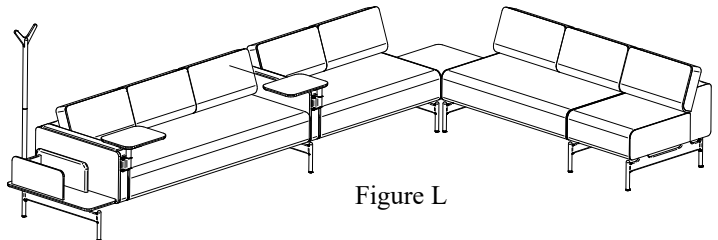
L-Configuration Corner Table with/without Lamp:

1. Follow Upholster Corner unit assembly on previous page for L-Configuration.
2. The Corner Table with Lamp (Figure K) requires assembly prior to ganging to the straight run shown in Figure J. Corner Table with Lamp has machining to mount the Lamp pole and shade. Reference Assembly Instruction 3365644.



T-Configuration Corner Table:

1. The T-Configuration is created with Modular units on three sides. See Figure M.
2. Reference earlier instructions to assemble straight runs that will attach to the T-Configuration Corner Table.
3. Align straight runs and Corner Table as shown in Figure N.
4. Attach the Corner Table to the straight runs using four (4) 1/4-20 x .50” Pan Head machine screws. Lift upright and place run in final position. Reference Assembly Instruction 3365646.
5. Use either (1) 8”H spacer block to span both rails or (2) 8”H spacer blocks that fit under a rail.
6. Place final straight run in the upright position close to the Corner Table continuing to use the 8”H spacer block for support under the non-leg end.
7. Create the T-Configuration by sliding the final straight run to the In-Line Leg Frame. Reference Assembly Instruction 3365646. See Figure O.
8. Install four (4) 1/4-20 x .50” Pan head screws to secure in place.
9. Level assembled configuration as shown in Figure M.



Corner Table Unit Assembly (cont'd)

X-Configuration Corner Table:

1. This table is symmetrical by having two In-Line Leg Frames on opposite sides and the remaining sides having rails. Note: woodgrain runs front-to-back.
2. Reference previous pages for straight run assemblies that will attach to the X-Configuration Corner Table.
3. Identify appropriate lounge units and attach to rails and leg frame following earlier instructions on table assembly.
4. Lift and place in upright position.
5. Referring to Figure R, lift and place the appropriate lounge unit to attach to rails using 8”H spacer blocks for support.
6. Lift and place upright the last lounge unit and continue to use 8”H spacer block for support under the non-leg frame
7. Slide and attach the straight rails to the In-Line Leg Frame. Reference Assembly Instruction 3365646 and Figure S.
8. Install four (4) 1/4-20 x .50” Pan head screws securing the last straight run.
9. Level the assembled configuration. Figure T.

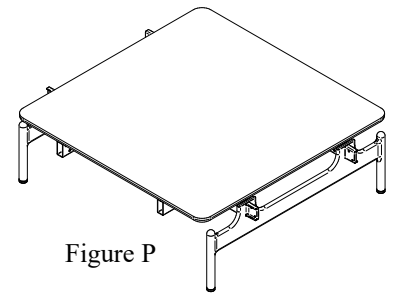


Figure P

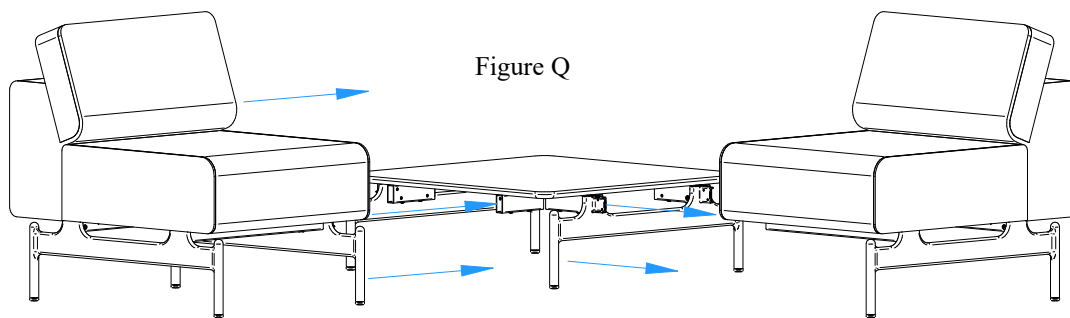


Figure Q

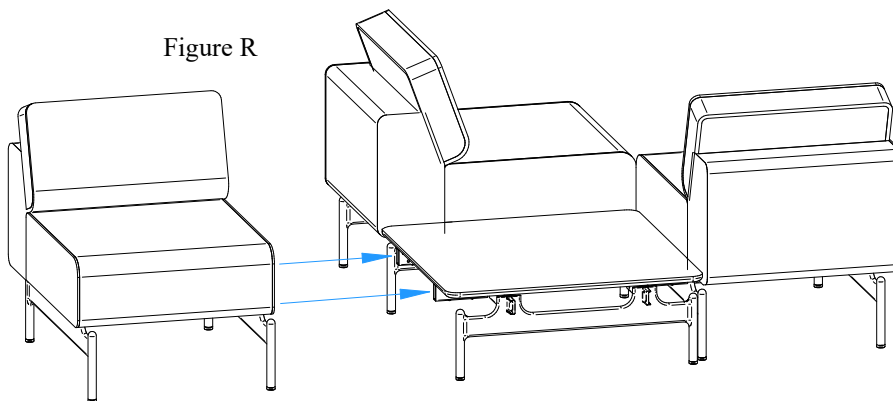


Figure R

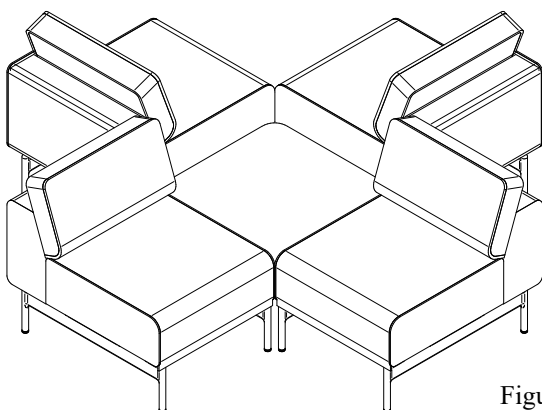


Figure T

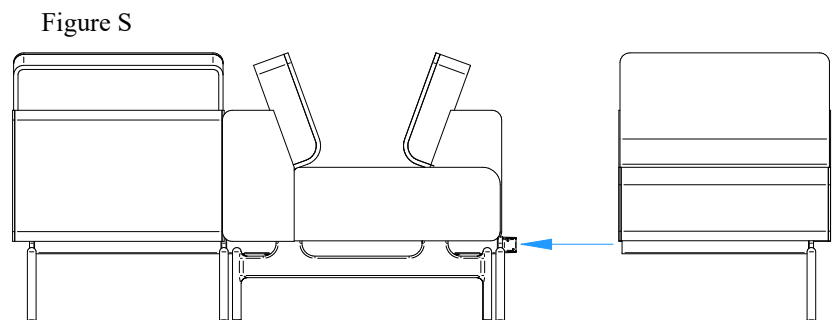


Figure S