

Embra Corner Table with Lamp Installation

Tools Required

- #2 Phillips Drive cordless or manual screwdriver

Hardware Required

- 6.3mm Phillips Drive, Flat Head, Euro Screws
- Lamp Pole Assembly and Lamp Shade.
- 3345201 - Embra Lamp Shade Assembly Instructions

Installation:

- Unbox the Embra Corner Table with Lamp; leave Lamp Shade boxed.

Installing Lamp Pole and Lamp Shade to Table:

1. Place Corner Table on its side on top of a soft non-marring surface. Figure A.
2. Place the Lamp Pole Assembly through the hole in the Table as shown in Figure A. Make sure to align the bracket over the holes correctly.
3. Provide support to the Lamp Pole and then orientate and drive the five (5) Euro screws through the plate into the pre-drilled holes in the Table top.
4. Lift assembled Table by the top and place in the upright position as shown in Figure C.
5. Unbox, inspect and test the Lamp prior to installation.
6. Using Assembly Instruction 3345201, attach the Lamp Shade to the Lamp Pole, and route the wire through the metal tube as described.
7. Figure D shows the completed Corner Lamp Table in its installed orientation to Embra Modular Lounge.

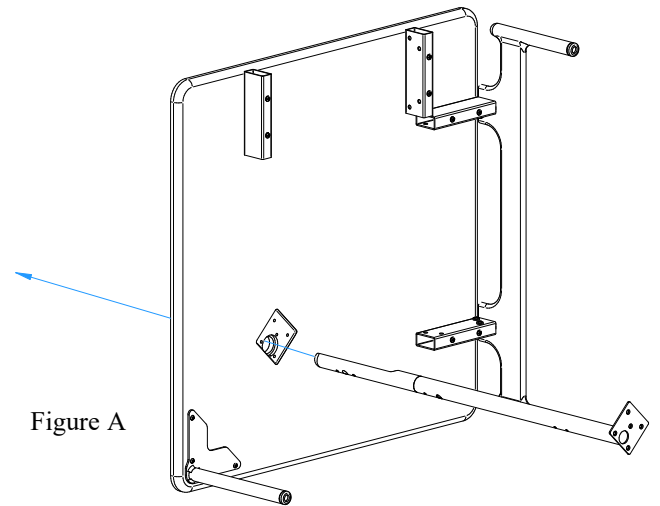


Figure A

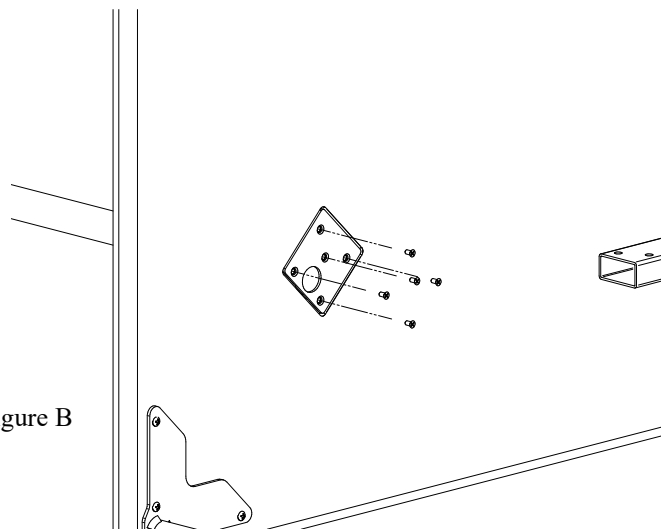


Figure B

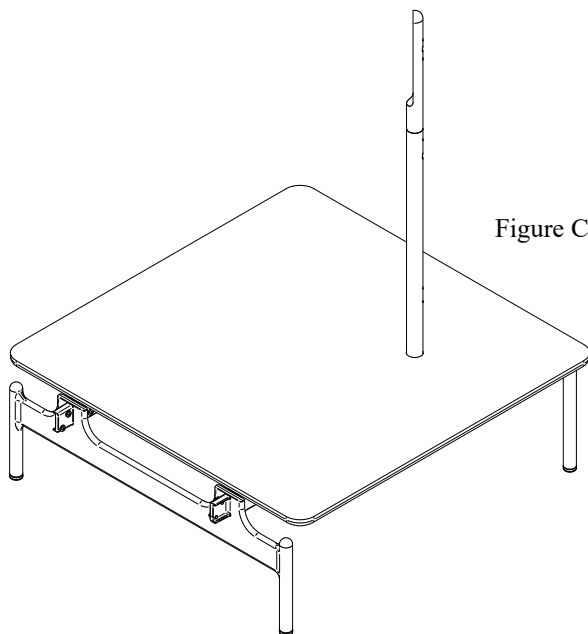


Figure C

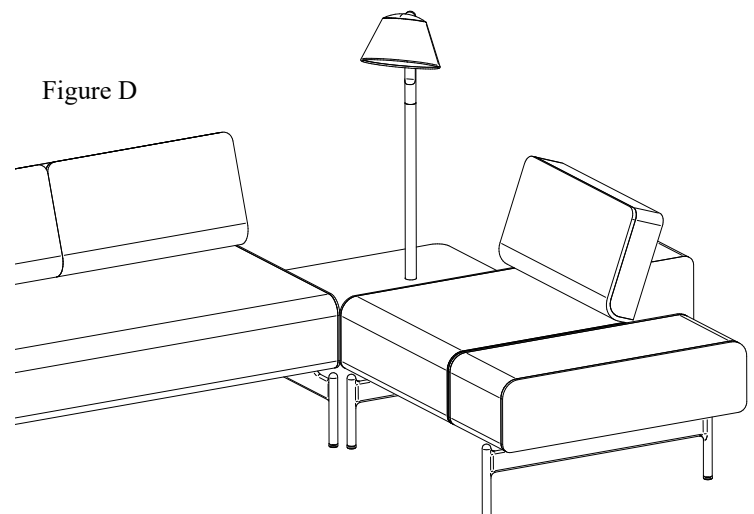


Figure D